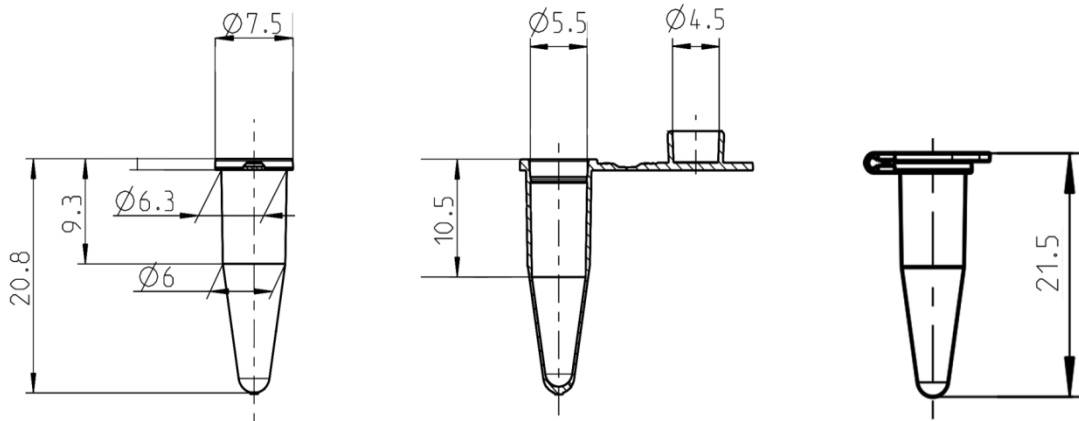


# Technical Drawing

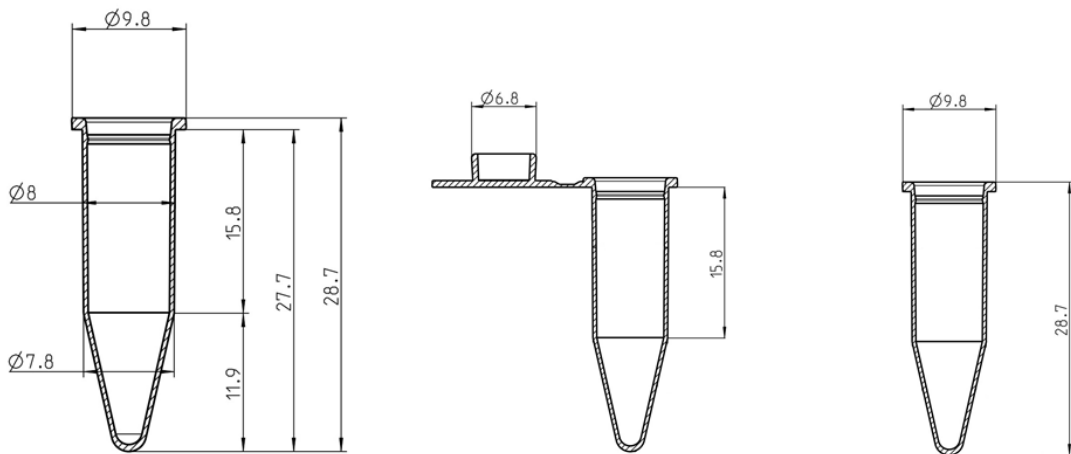
## PCR Microtube 0.2 ml

Order number 96.09852.9.01



Dimensions : Millimeters

**Technical Drawing**  
**PCR Microtube 0.5 ml**  
 Order number 96.10385.9.01



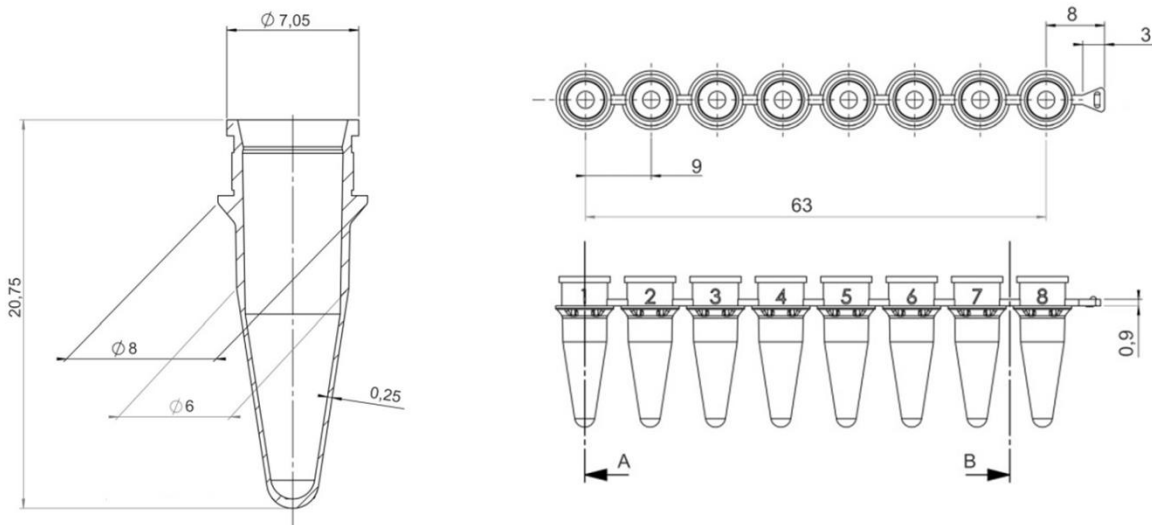
Dimensions : Millimeters

## Technical Drawing

### PCR & qPCR 8-Tube Strip 0.2 ml

Order number 96.10560.9.01 (transparent, PCR)

Order number 96.10820.9.01 (white, qPCR)



Dimensions : Millimeters

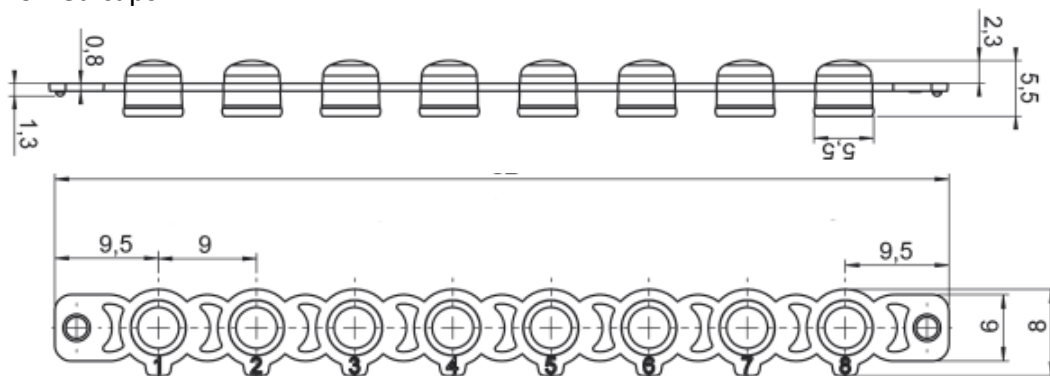
## Technical Drawing

### PCR & qPCR 8-Caps Strip 0.2 ml

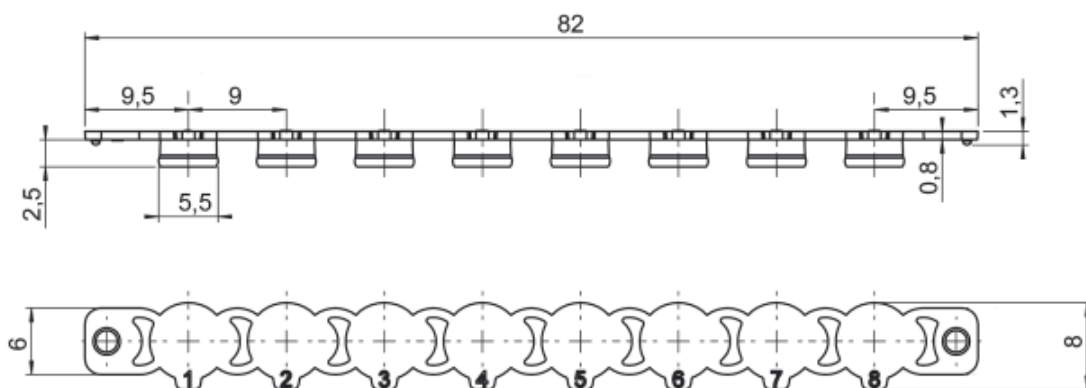
Order number 96.10580.9.01 (domed Caps, transparent)

Order number 96.10570.9.01 (flat Caps, transparent)

Domed caps



Flat caps



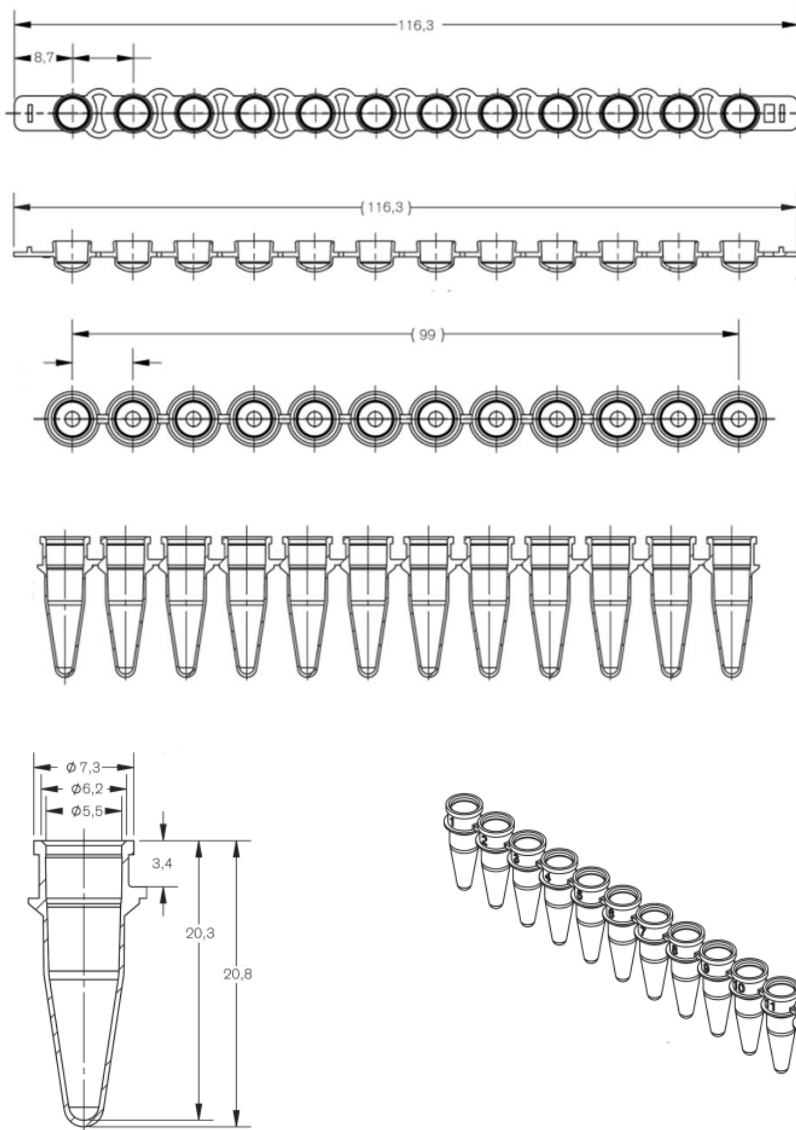
Dimensions : Millimeters

## Technical Drawing

### PCR 12-Tube Strip 0.2 ml

Order number 96.10815.9.01 (transparent, PCR)

Order number 96.10814.9.01 (transparent, domed caps)



### Dimensions : Millimeters

Nolato Treff AG, Taastrasse 16, CH-9113 Degersheim, Switzerland | Phone +41 713725555 | [www.nolato.com/treff](http://www.nolato.com/treff)

Nolato assumes no responsibility or liability for any errors in the product information.