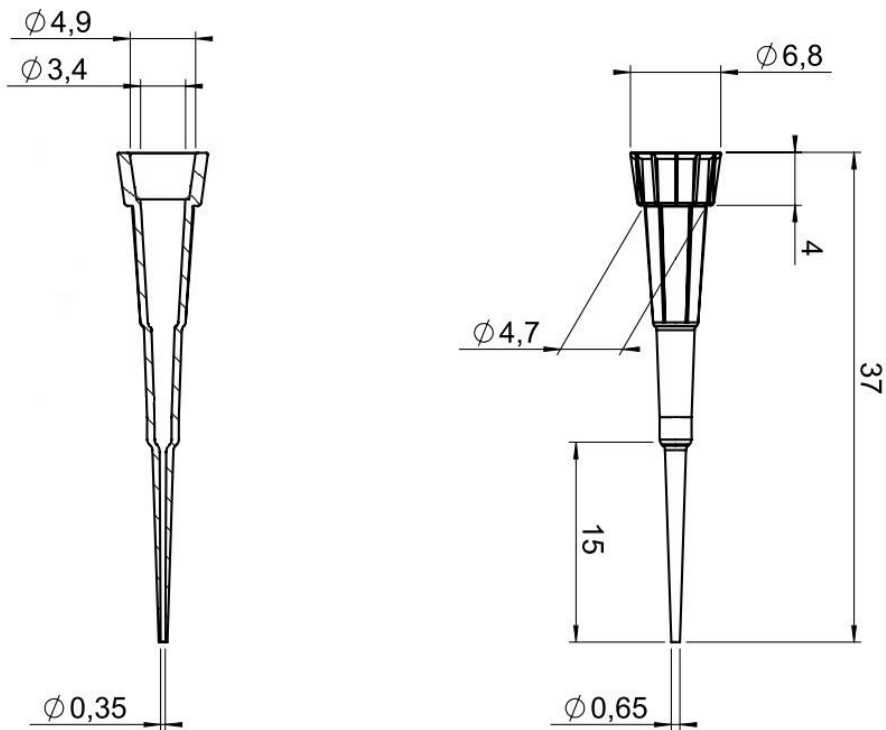


Technical Drawing TreffLab Pipette Tips 0.1 - 20 μ l

| | | | |
|---------------|---------------|-----------------------|-----------------|
| <u>TipBag</u> | <u>TipBox</u> | <u>Refill TipRack</u> | |
| 96.11176.9.01 | 96.11182.9.01 | 96.11233.9.01 | CleanRoom Pure® |
| | 96.11220.9.01 | 96.11246.9.01 | Y-sterilized |

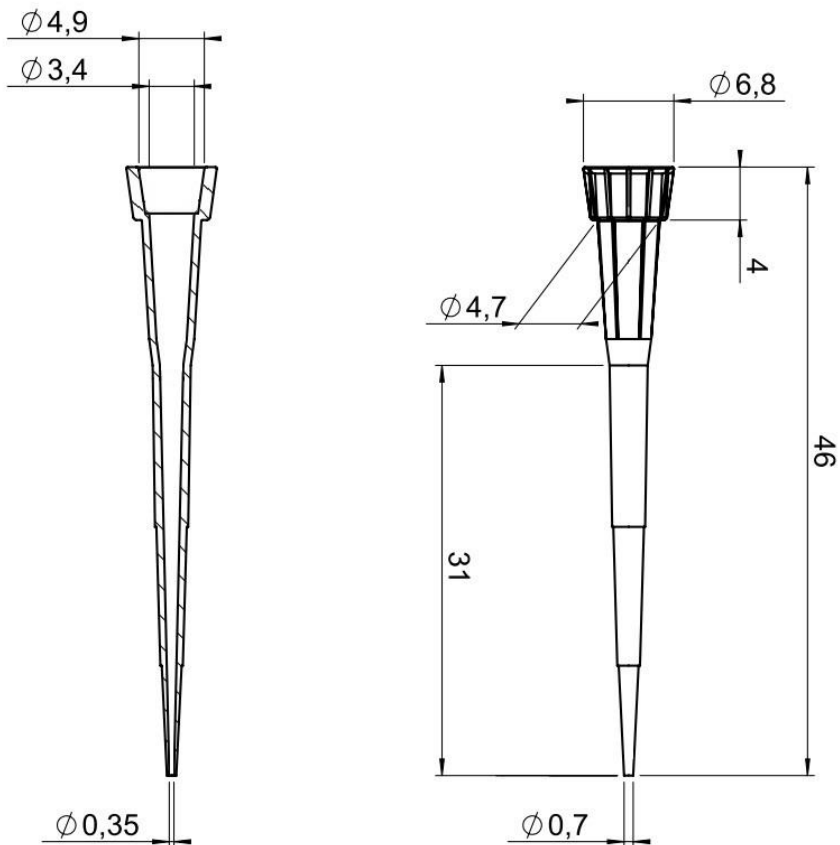


Dimensions : Millimeters

Technical Drawing

TreffLab Pipette Tips 0.5 - 20 μ l

| | | | | |
|---------------|---------------|-----------------------|------------------------|---|
| <u>TipBag</u> | <u>TipBox</u> | <u>Refill TipRack</u> | <u>TipRack stacked</u> | |
| 96.11177.9.01 | 96.11183.9.01 | 96.11234.9.01 | 96.11259.9.01 | CleanRoom Pure [®] Y-sterilized |
| | 96.11221.9.01 | 96.11247.9.01 | 96.11262.9.01 | |

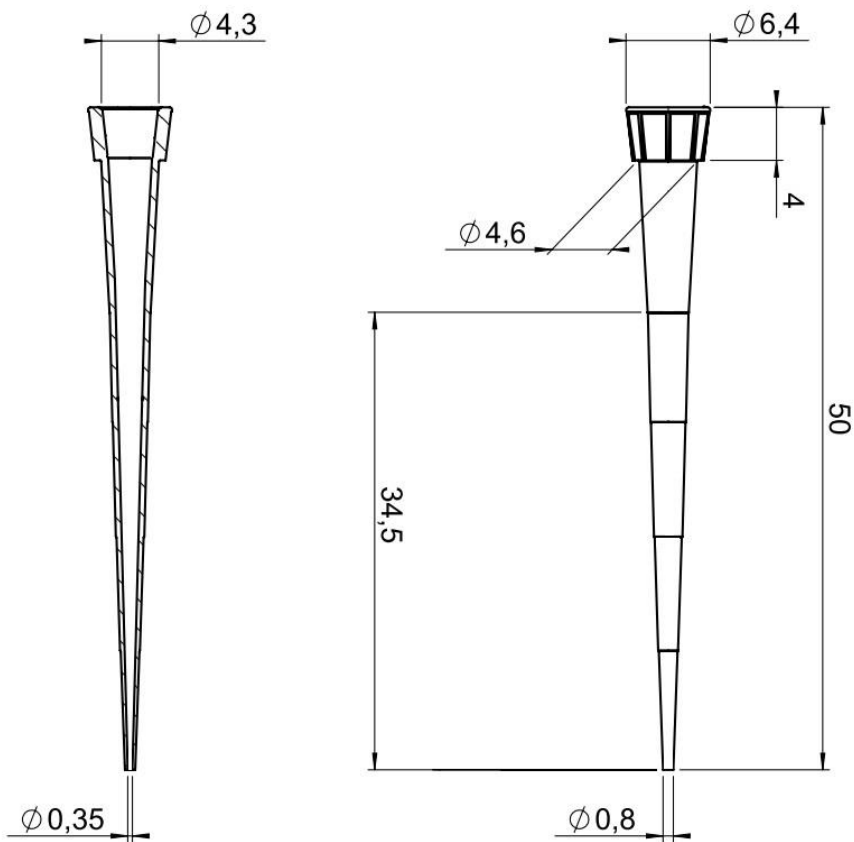


Dimensions : Millimeters

Technical Drawing

TreffLab Pipette Tips 1 - 50 µl

| TipBag | TipBox | Refill TipRack | |
|---------------|---------------|----------------|-----------------|
| 96.11178.9.01 | 96.11184.9.01 | 96.11235.9.01 | CleanRoom Pure® |
| | 96.11222.9.01 | 96.11248.9.01 | Y-sterilized |

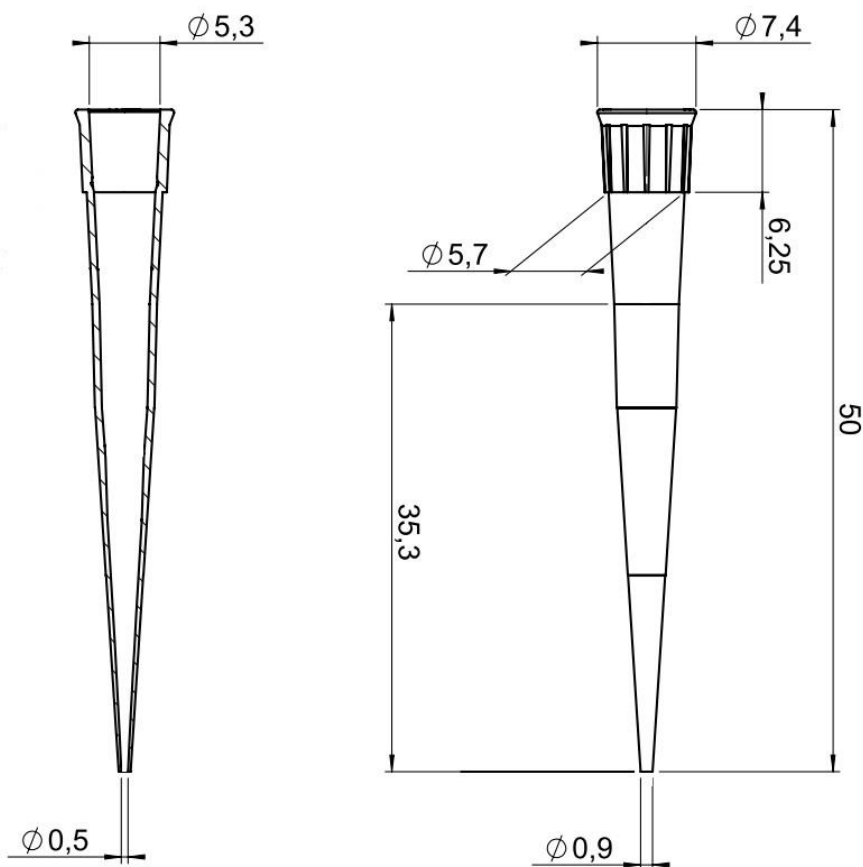


Dimensions : Millimeters

Technical Drawing

TreffLab Pipette Tips 2 - 200 µl

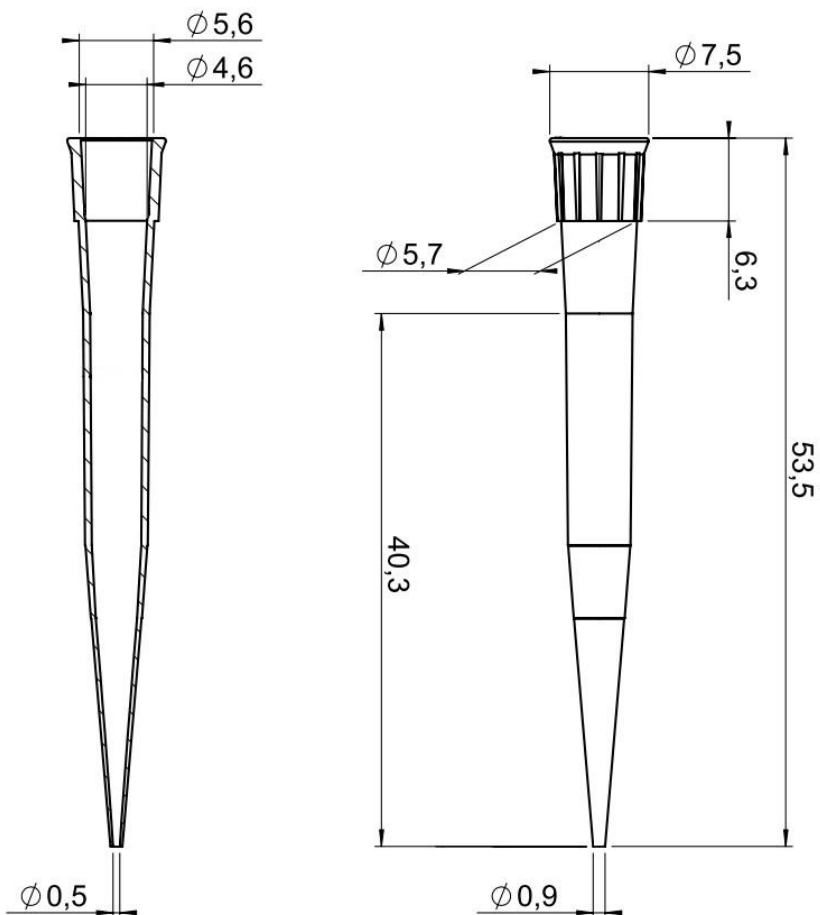
| TipBag | TipBox | Refill TipRack | TipRack stacked | |
|---------------|---------------|----------------|-----------------|-----------------|
| 96.11179.9.01 | 96.11185.9.01 | 96.11236.9.01 | 96.11260.9.01 | CleanRoom Pure® |
| | 96.11223.9.01 | 96.11249.9.01 | 96.11263.9.01 | Y-sterilized |



Dimensions : Millimeters

Technical Drawing TreffLab Pipette Tips 5 - 300 µl

| <u>TipBag</u> | <u>TipBox</u> | <u>Refill TipRack</u> | |
|---------------|----------------|-----------------------|-----------------------------|
| 96.11180.9.01 | 96.111886.9.01 | 96.11237.9.01 | CleanRoom Pure [®] |
| | 96.11224.9.01 | 96.11250.9.01 | Y-sterilized |

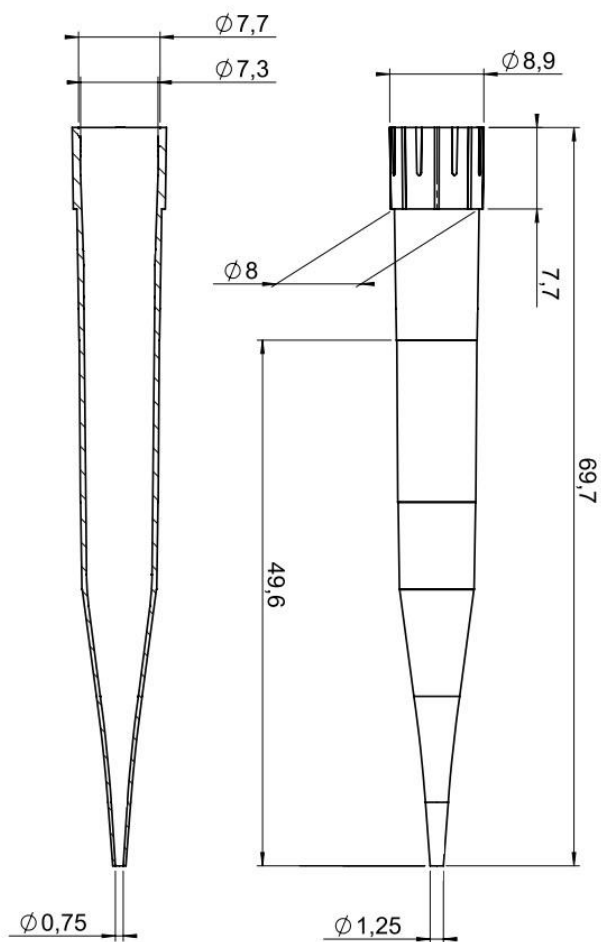


Dimensions : Millimeters

Technical Drawing

TreffLab Pipette Tips 50 – 1000 µl

| <u>TipBag</u> | <u>TipBox</u> | <u>Refill TipRack</u> | <u>TipRack stacked</u> | |
|---------------|---------------|-----------------------|------------------------|-----------------|
| 96.11181.9.01 | 96.11187.9.01 | 96.11238.9.01 | 96.11261.9.01 | CleanRoom Pure® |
| | 96.11225.9.01 | 96.11251.9.01 | 96.11264.9.01 | Y-sterilized |

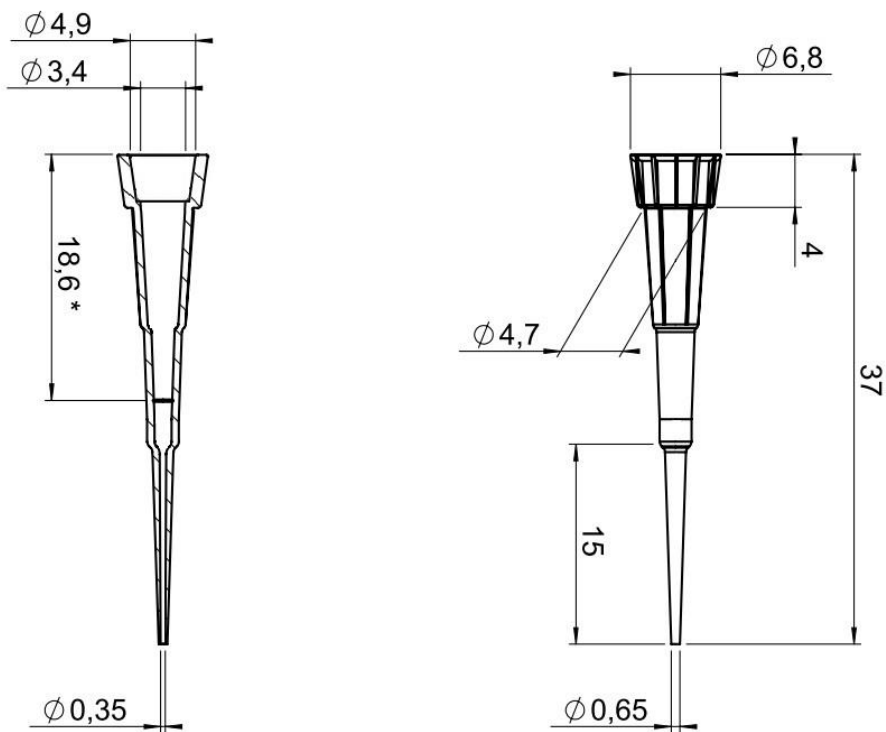


Dimensions : Millimeters

Technical Drawing

TreffLab Pipette Filter Tips 0.1 - 1 µl

| <u>TipBox</u> | <u>Refill TipRack</u> | |
|---------------|-----------------------|-----------------------------|
| 96.11188.9.01 | 96.11239.9.01 | CleanRoom Pure [®] |
| 96.11226.9.01 | 96.11252.9.01 | Y-sterilized |



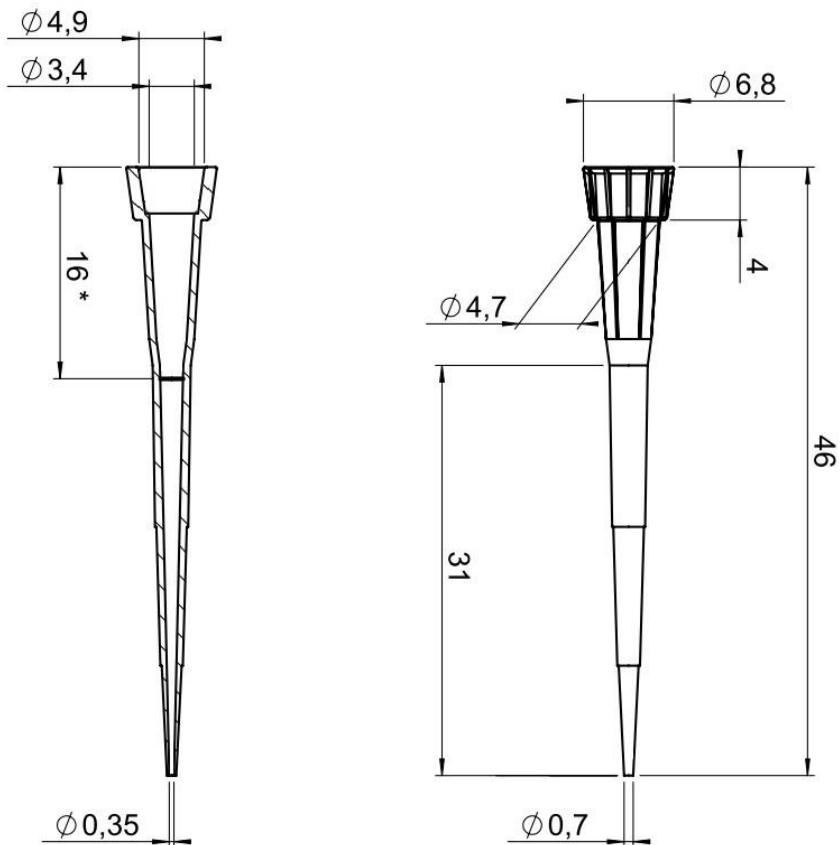
Dimensions : Millimeters

* = Filter Position

Technical Drawing

TreffLab Pipette Filter Tips 0.5 - 10 µl

| TipBox | Refill TipRack | |
|---------------|----------------|-----------------|
| 96.11189.9.01 | 96.11240.9.01 | CleanRoom Pure® |
| 96.11227.9.01 | 96.11253.9.01 | Y-sterilized |



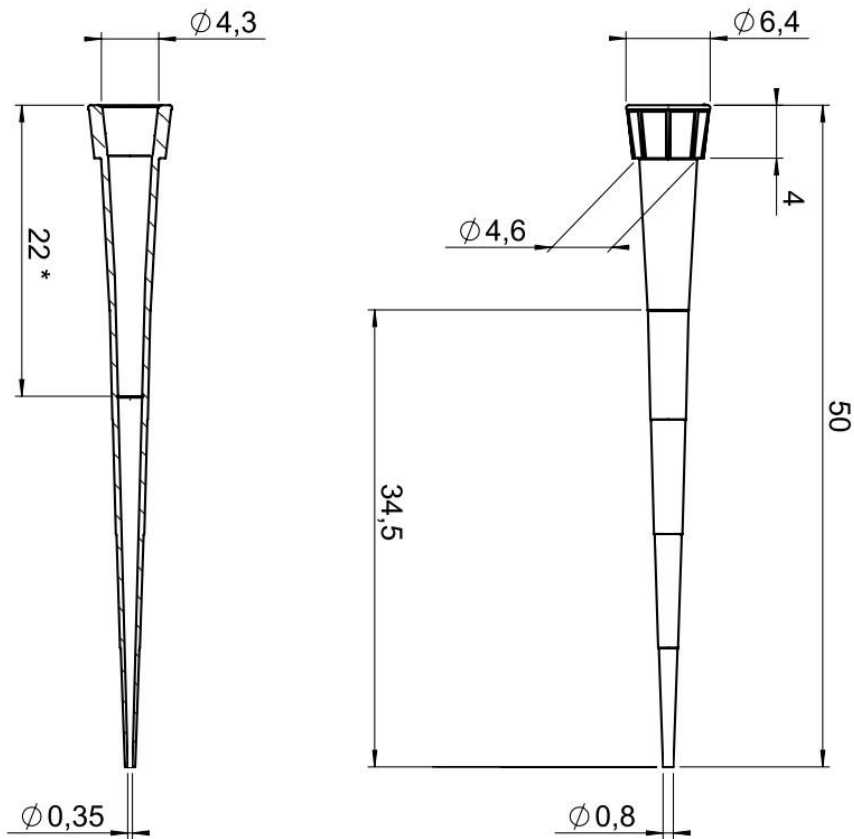
Dimensions : Millimeters

* = Filter Position

Technical Drawing

TreffLab Pipette Filter Tips 1 - 20 µl

| | | |
|---------------|-----------------------|-----------------|
| <u>TipBox</u> | <u>Refill TipRack</u> | |
| 96.11190.9.01 | 96.11241.9.01 | CleanRoom Pure® |
| 96.11228.9.01 | 96.11254.9.01 | Y-sterilized |



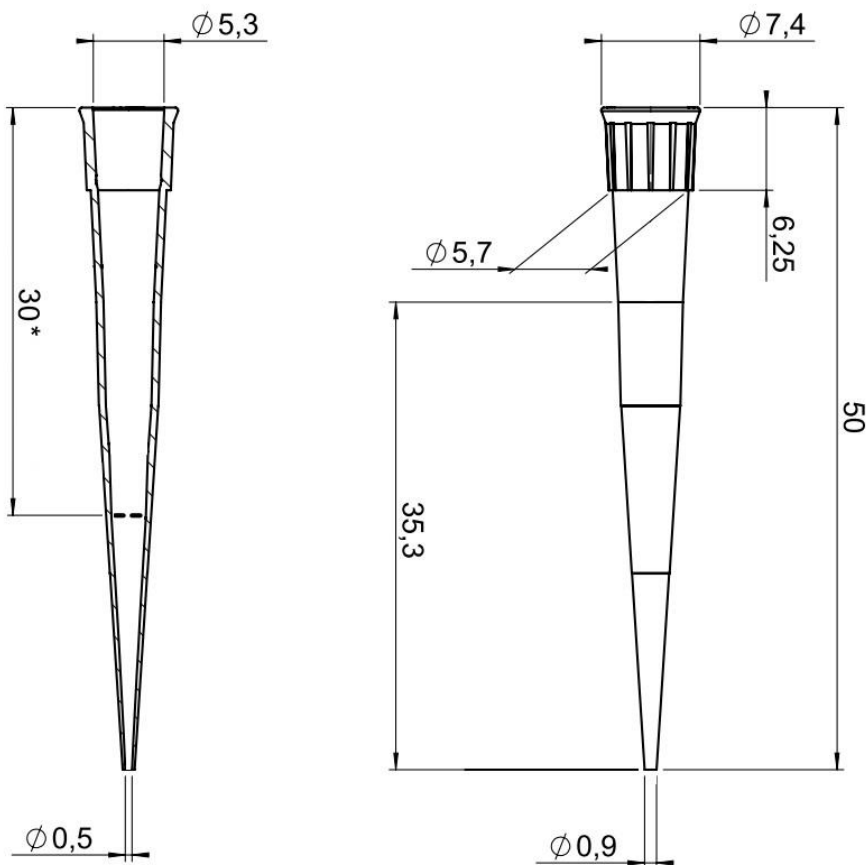
Dimensions : Millimeters

* = Filter Position

Technical Drawing

TreffLab Pipette Filter Tips 2 – 20 µl

| | | |
|---------------|-----------------------|-----------------|
| <u>TipBox</u> | <u>Refill TipRack</u> | |
| 96.11191.9.01 | 96.11242.9.01 | CleanRoom Pure® |
| 96.11229.9.01 | 96.11255.9.01 | Y-sterilized |



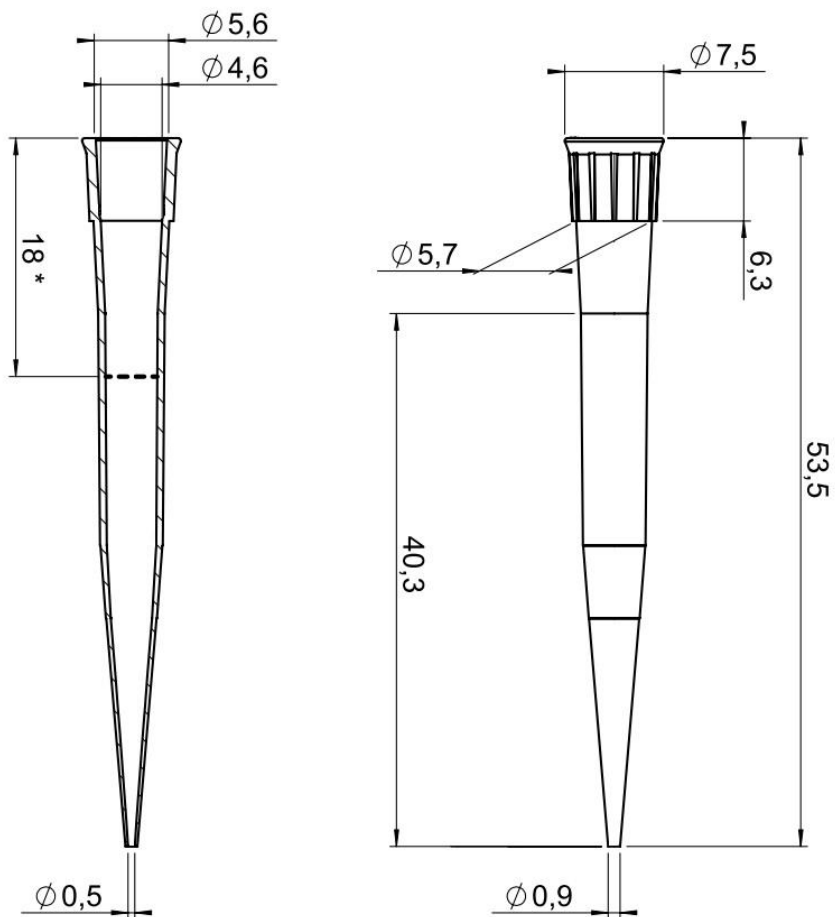
Dimensions : Millimeters

* = Filter Position

Technical Drawing

TreffLab Pipette Filter Tips 5 – 100 µl

| | | |
|---------------|-----------------------|-----------------------------|
| <u>TipBox</u> | <u>Refill TipRack</u> | |
| 96.11192.9.01 | 96.11243.9.01 | CleanRoom Pure [®] |
| 96.11230.9.01 | 96.11256.9.01 | Y-sterilized |



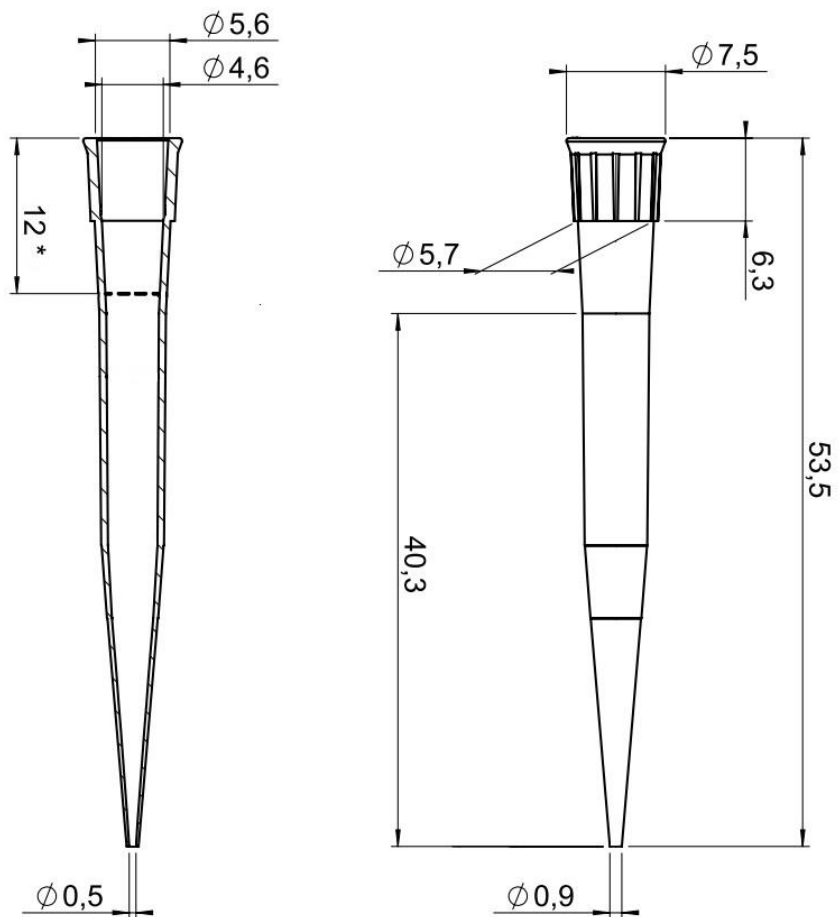
Dimensions : Millimeters

* = Filter Position

Technical Drawing

TreffLab Pipette Filter Tips 5 – 200 µl

| TipBox | Refill TipRack | |
|---------------|----------------|-----------------|
| 96.11193.9.01 | 96.11244.9.01 | CleanRoom Pure® |
| 96.11231.9.01 | 96.11257.9.01 | Y-sterilized |



Dimensions : Millimeters

* = Filter Position

Technical Drawing

TreffLab Pipette Filter Tips 50 - 1000 µl

TipBox

96.11194.9.01

96.11232.9.01

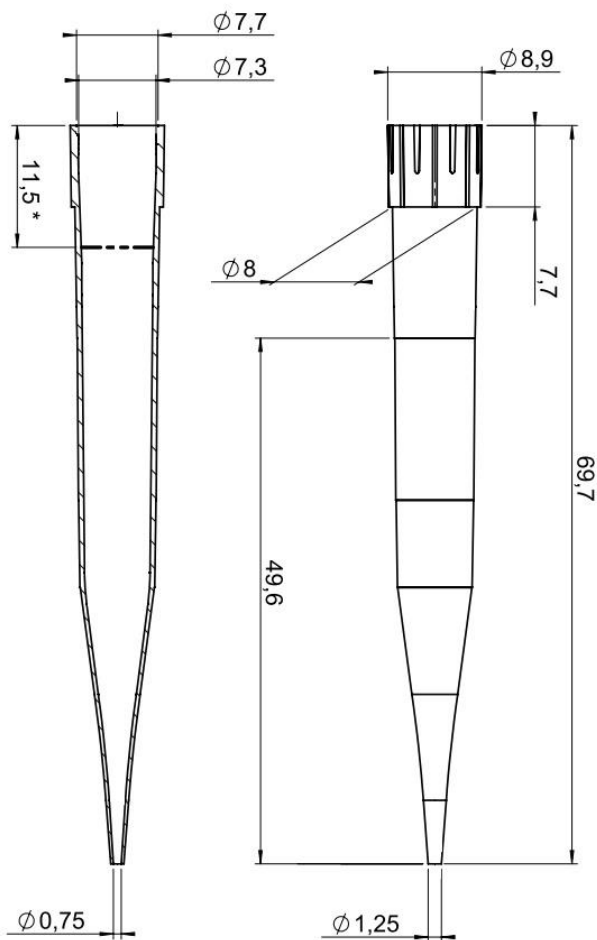
Refill TipRack

96.11245.9.01

96.11258.9.01

CleanRoom Pure®

Y-sterilized



Dimensions : Millimeters

* = Filter Position

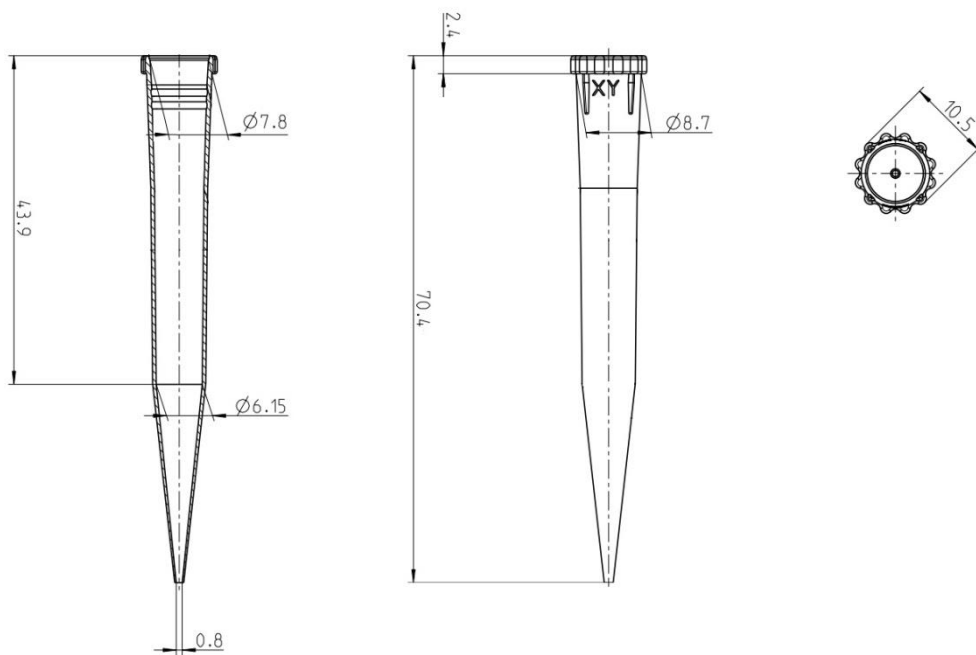
Technical Drawing

TreffLab Pipette Tips 0.5 – 5 ml

TipBag

96.08755.9.01

CleanRoom Pure®



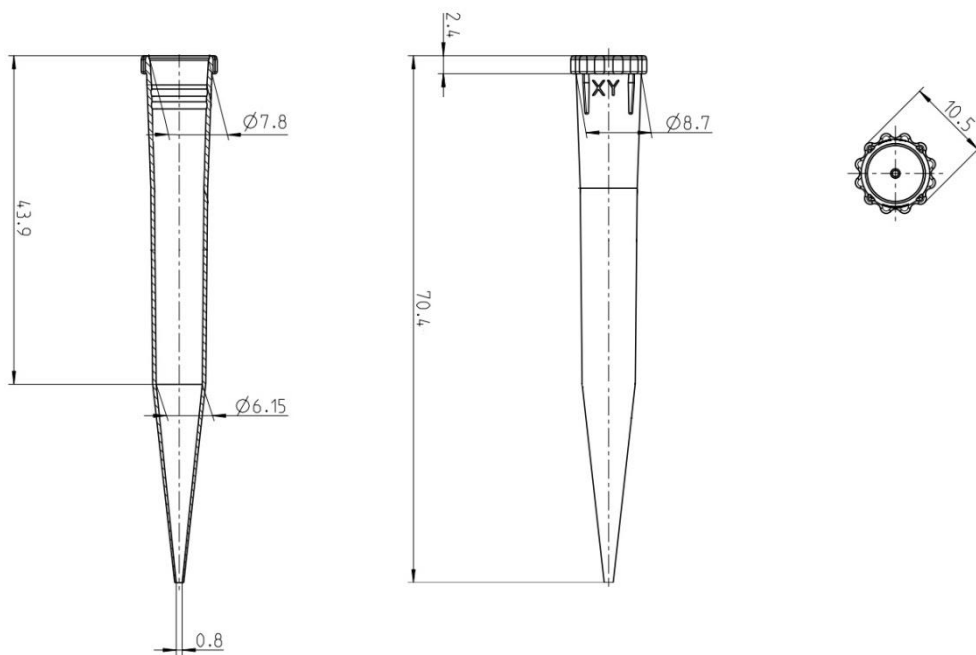
Dimensions : Millimeters

Technical Drawing

TreffLab Pipette Tips 1 - 10 ml

TipBag

96.10720.9.01 CleanRoom Pure®



Dimensions : Millimeters